

## Declaration of Conformity

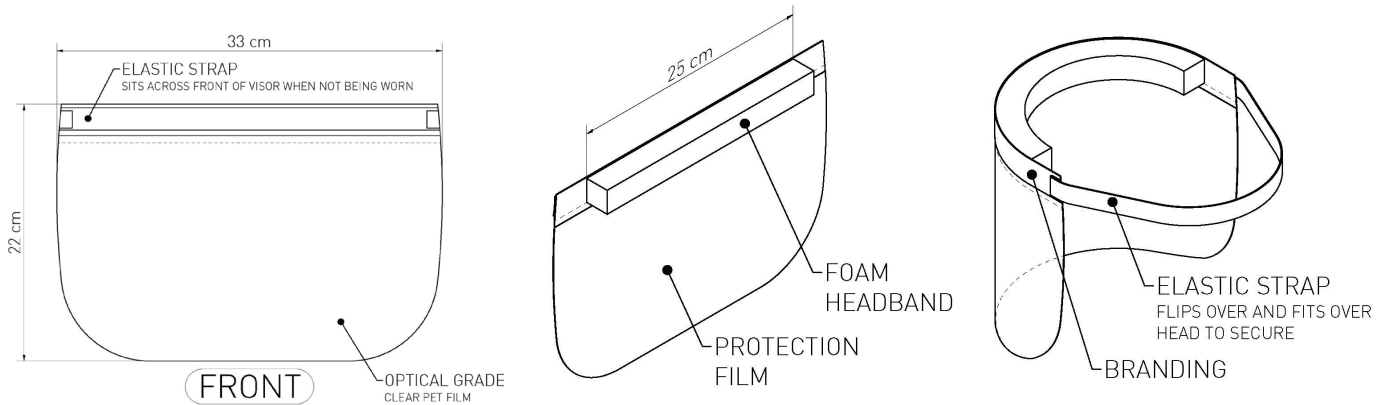
**The Manufacturer:** Tecman Speciality Materials Ltd, Berrington House, Berrington Rd, Royal Leamington Spa CV31 1NB, United Kingdom

**Declare that the Product:** Tecman Face Visor TEC-FACEVISOR\_1, TEC-FACEVISOR\_2

**Notified Body:** SATRA Technology Europe Ltd ( 2777)

**EU & GB Type Examination:** CE: 2777/24995-01/E00 -00, UKCA: AB0321/25860-01/E00-00

Tecman's lightweight face shield with anti-fog properties\* protects the face and eyes from splashing or spraying of infectious or hazardous substances. The disposable face shields are manufactured from optically clear polyester for maximum visibility, whilst the soft elastic strap and PU foam headbands provide additional, long-term comfort and durability.



That the equipment is in conformity with the following directives:  
REGULATION (EU) 2016/425

Standards/Technical specifications applied: EN 166: 2001 cl 6.1-6.3, 7.1.1, 7.1.2.1-7.1.2.3, 7.1.3, 7.1.5.1, 7.1.5.2, 7.1.7 & 7.2.4

And that the equipment is in conformity with the following harmonised standards:  
EN 166:2001 Certified – Category II

This declaration of conformity is issued under the exclusive responsibility of the manufacturer.  
Royal Leamington Spa, 26/06/2024, valid to 03/11/2028.

Kevin Porter  
Tecman Speciality Materials Ltd  
Technical MD

Registered in England: 12589354

DOC 331 V8.0, JUL 2024

<b>TECMAN</b> ADVANCED HEALTHCARE PRODUCTS LTD			
Berrington House   Berrington Road   Leamington Spa   CV31 1NB			
☎	+44 (0) 1926 337 466	✉	sales@tecmanuk.com
🌐	<a href="http://www.tecmanuk.com/healthcare-products">www.tecmanuk.com/healthcare-products</a>		02