

OPTEC 100™ SERIES REUSABLE FACE SHIELD SYSTEM

PRODUCT CODES

Product Code	Product Name	Product Description
Optec110	Optec™ 100 Series Reusable Face Shield - Purple	Wipe clean purple bio headband with closed cell foam and silicone strap
Optec120	Optec™ 100 Series Reusable Face Shield - Blue	Washable blue bio headband with closed cell foam and silicone strap
Optec101	Optec™ 100 Series Single Use Screens	Single use screen
Optec102	Optec™ 100 Series Biomaterial Screens	Cleanable biomaterial screen
Optec103	Optec™ 100 Series Impact Resistant Screens	Cleanable impact resistant screen

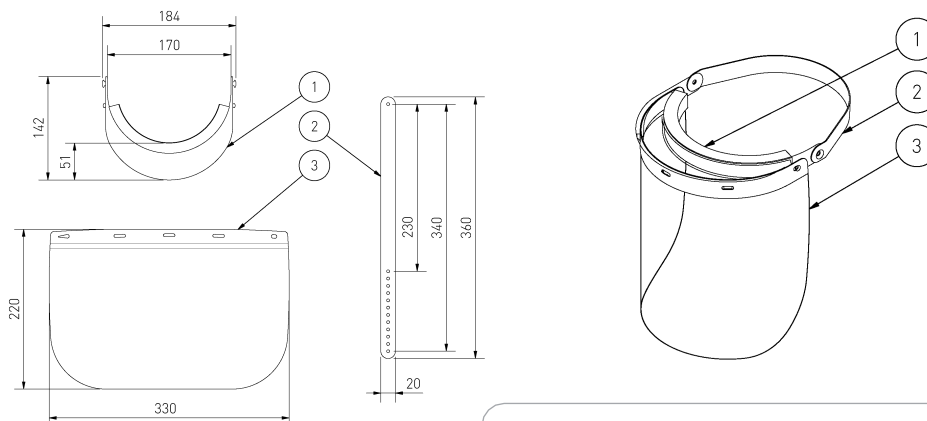
TECHNICAL DATA

ITEM	DESCRIPTION		MATERIAL	MARKING	CLEANING
1	HEADBAND	PURPLE	TRANSPARENT PURPLE BIOPLASTIC (MADE FROM TREES); SUPER SOFT CLOSED CELL FOAM	TEC EN166 3 S	CLEAN AND DISINFECT WITH CLINELL WIPES
		BLUE	TRANSPARENT BLUE BIOPLASTIC (MADE FROM TREES); SUPER SOFT CLOSED CELL SILICONE FOAM		CLEAN AND DISINFECT WITH CLINELL WIPES OR A WASHER-DISINFECTOR AT 90 ° C FOR 1 MIN
2	STRAP		SILICONE	N/A	
3	SCREEN	SINGLE USE	163 µm OPTICALLY CLEAR PET	TEC 1	CLEANING NOT RECOMMENDED
		IMPACT RESISTANT	325 µm OPTICALLY CLEAR PET	TEC 1 N	CLEAN WITH A CLINELL WIPE AND BUFF DRY WITH A MICROFIBRE CLOTH (5-10 TIMES*)
		BIOMATERIAL	240 µm OPTICALLY CLEAR BIOPLASTIC (MADE FROM TREES)	TEC 1 S N	

*DISCARD SCREEN IF IT BECOMES SCRATCHED OR OTHERWISE UNFIT FOR PURPOSE

STORAGE CONDITIONS	Store at 21°C in its original packaging, 50% RH and out of direct sunlight.
SHELF LIFE	7 Years

DRAWINGS



*All dimensions are nominal and in mm

TECMAN ADVANCED HEALTHCARE PRODUCTS LTD

Berrington House | Berrington Road | Leamington Spa | CV31 1NB



+44 (0) 1926 337 466



sales@tecmanuk.com



www.tecmanuk.com/healthcare-products

02

OPTEC 100™ SERIES REUSABLE FACE SHIELD SYSTEM

CERTIFICATION & CLAUSES

EN 166:2001 STANDARDS	ASSEMBLED HEADBAND STRAP AND...			INDIVIDUAL COMPONENTS			
	SINGLE USE SCREEN	BIOMATERIAL SCREEN	IMPACT RESISTANT SCREEN	HEADBAND AND STRAP	SINGLE USE SCREEN	BIOMATERIAL SCREEN	IMPACT RESISTANT SCREEN
6.1 General construction	✓	✓	✓	✓			
6.2 Materials (inc. Latex Free)	✓	✓	✓	✓			
6.3 Headbands	✓	✓	✓	✓			
7.1.1 Field of vision	✓	✓	✓	✓	✓	✓	✓
7.1.2.1 Refractive powers	✓	✓	✓		✓	✓	✓
7.1.2.2 Transmittance	✓	✓	✓		✓	✓	✓
7.1.2.3 Diffusion of light	✓	✓	✓		✓	✓	✓
7.1.3 Quality of material and surface	✓	✓	✓		✓	✓	✓
7.1.4.2 Increased robustness			✓	✓			✓
7.1.5.1 Temperature stability	✓	✓	✓	✓	✓	✓	✓
7.1.5.2 UV stability	✓	✓	✓	✓	✓	✓	✓
7.1.7 Ignition	✓	✓	✓	✓	✓	✓	✓
7.2.4 Droplets and splashes of liquids	✓	✓	✓	✓			
7.3.2 Resistance to fogging		✓	✓			✓	✓
9 Marking	✓	✓	✓	✓	✓	✓	✓
ISO 16321-1:2021 STANDARDS							
4.4 Cleaning and/or disinfection	✓	✓	✓	✓	✓	✓	✓
7.1.3 Area to be protected by face protectors	✓	✓	✓	✓			
7.2 Headbands and harnesses	✓	✓	✓	✓			
7.13 Resistance to fogging		✓	✓			✓	✓

Areas in grey testing not applicable

The buyer shall satisfy himself prior to ordering that the product is suitable for the purpose for which the buyer requires it. Should the product subsequently prove to be unsuitable Tecman Speciality Materials Ltd shall not be held liable for any consequential damage or loss incurred. All goods are sold in accordance with our standard trading Terms and Conditions, of which a copy is available on request.

TECMAN ADVANCED HEALTHCARE PRODUCTS LTD

Berrington House | Berrington Road | Leamington Spa | CV31 1NB



+44 (0) 1926 337 466



sales@tecmanuk.com



www.tecmanuk.com/healthcare-products

02